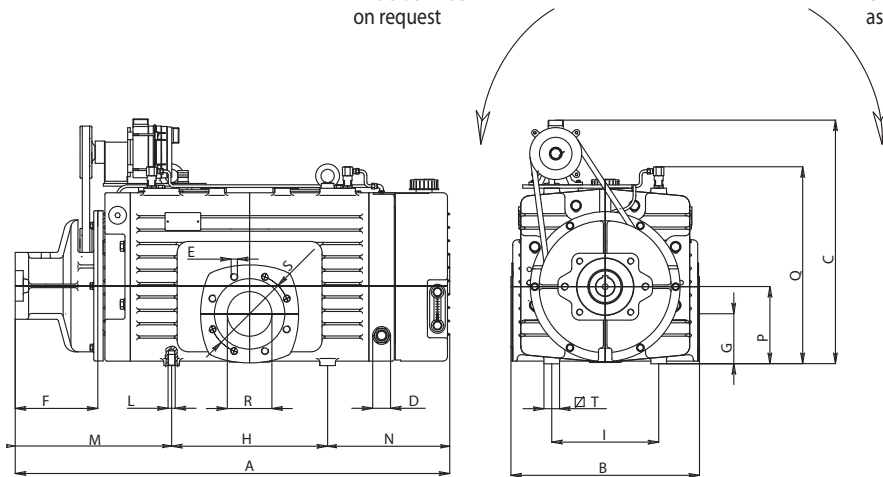


KTM HFR 1200 - 1500

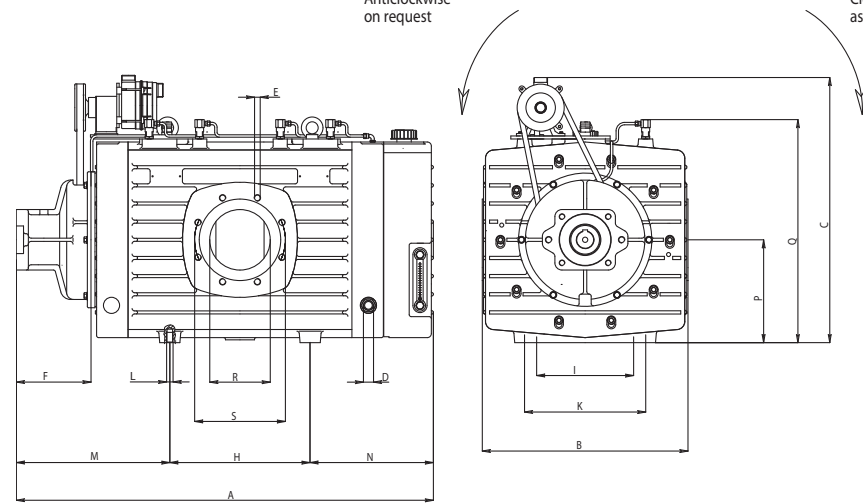
 Anticlockwise
on request

 Clockwise
as series


		A	B	C	D	E	F	G	H	I	L	M	N	P	Q	R	S	T
KTM 1200 HFR	mm	970	420	546	3/4"	M16	182	115	350	240	M16	350	270	180	446	100	180	35
KTM 1500 HFR		1080	420	546	3/4"	M16	182	115	350	240	M16	405	325	180	446	100	180	35

KTM HFR 1800 - 2300

 Anticlockwise
on request

 Clockwise
as series


		A	B	C	D	E	F	H	I	K	L	M	N	P	Q	R	S
KTM 1800 HFR	mm	980	510	660	3/4"	M16	182	350	240	300	M16	385	310	255	550	150	225
KTM 2300 HFR		1150	510	660	3/4"	M16	182	350	240	300	M16	442,5	357,7	255	550	150	225